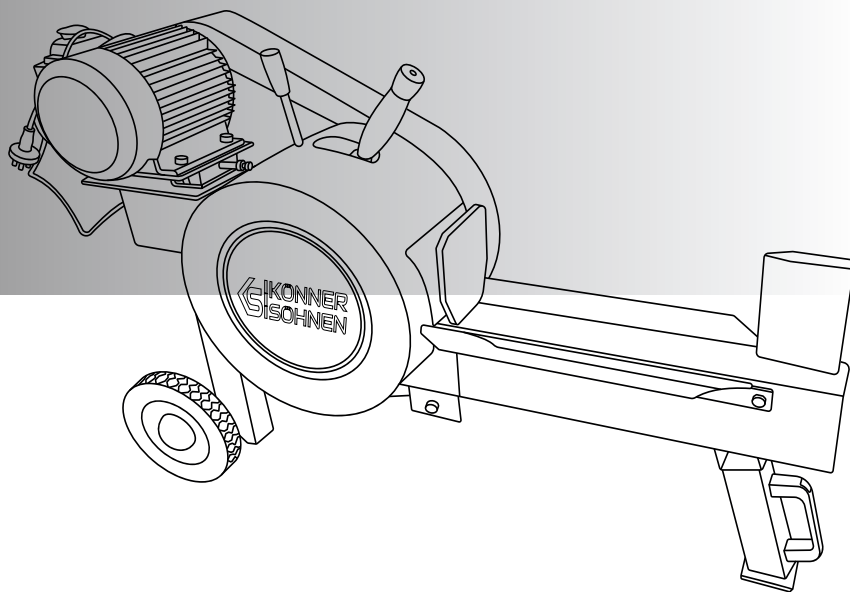
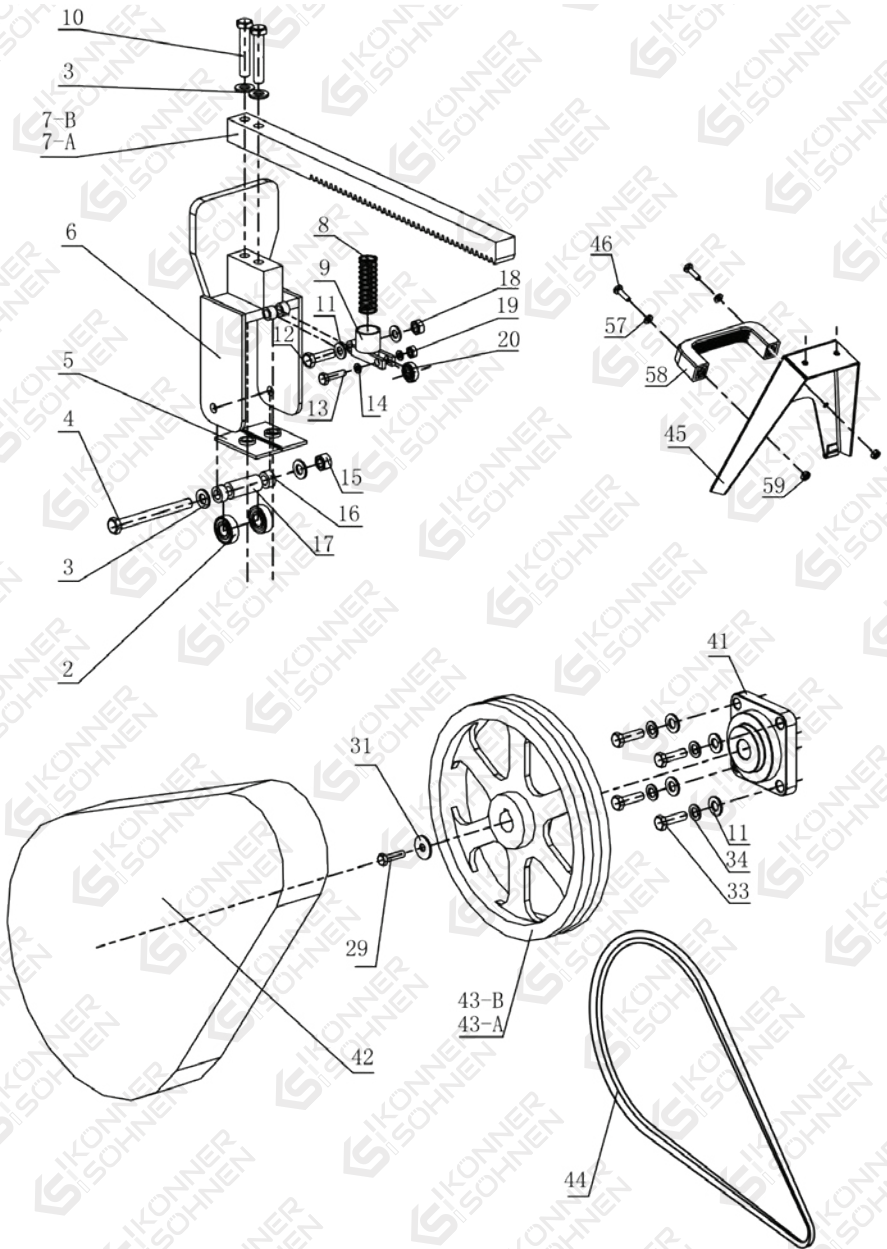


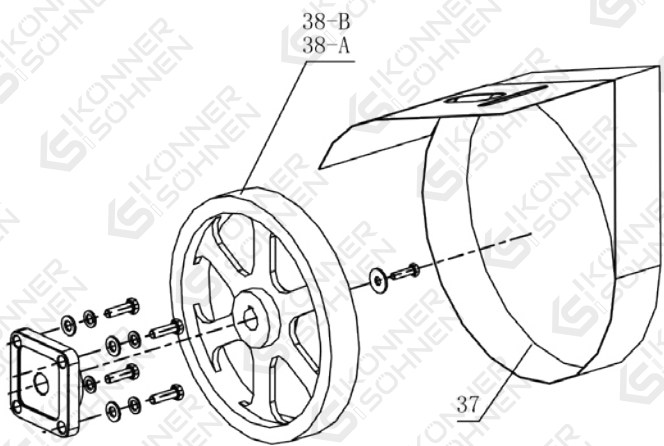
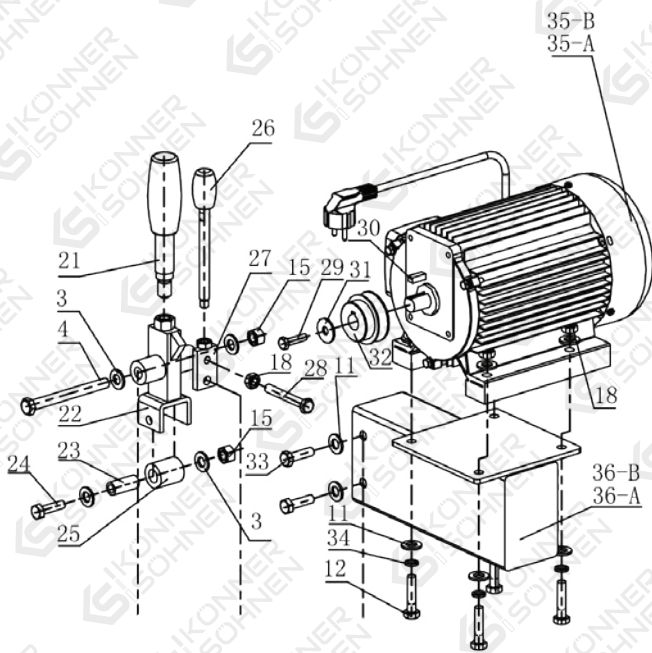
ELECTRIC LOG SPLITTER EXPLODED VIEW

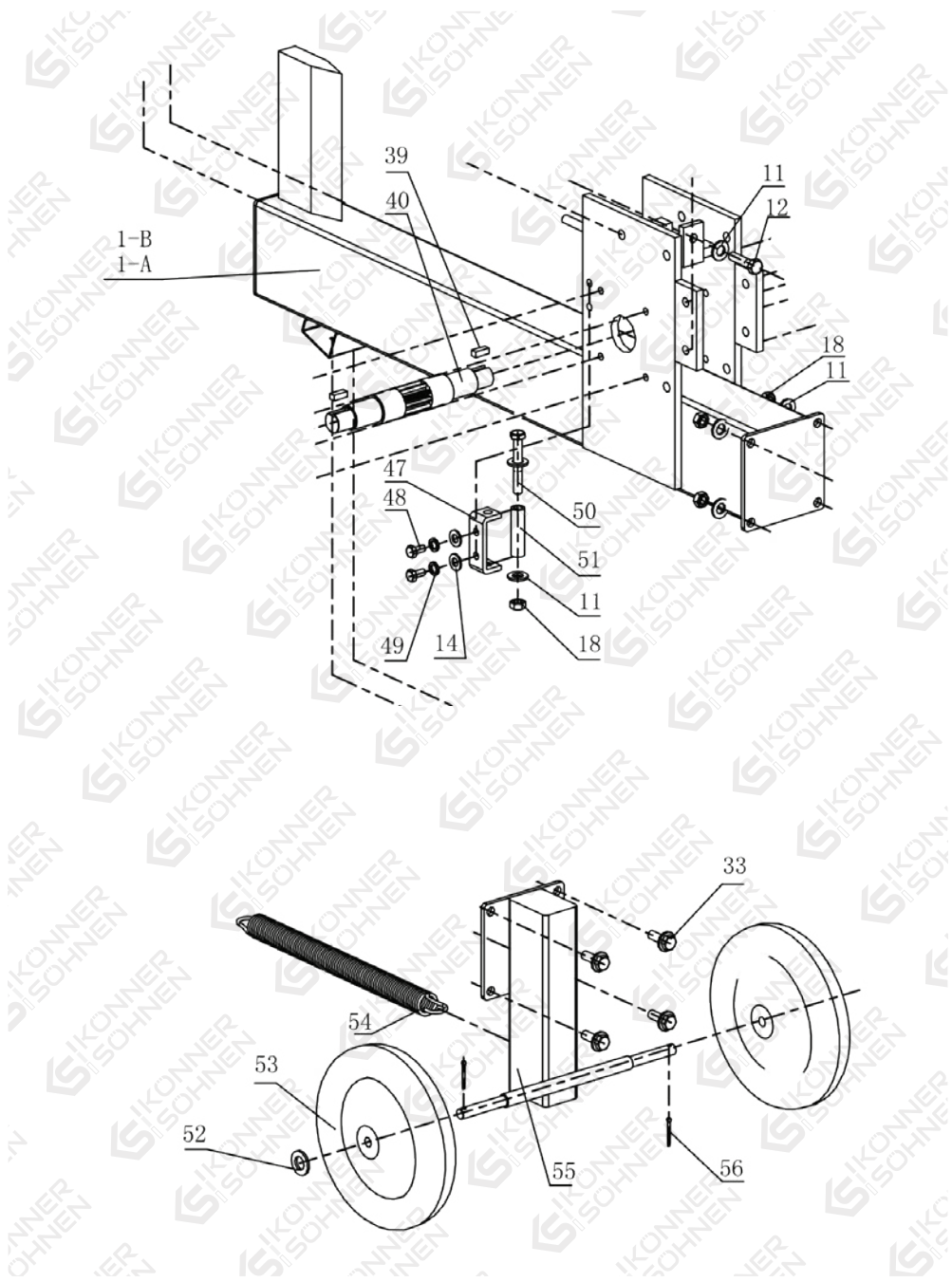
KS 8TKE 52/35



TRADITIONELLE DEUTSCHE QUALITÄT







No	REF. No	DESCRIPTION	QTY
1-A	KS 8TKE 52/35-1-A	Body - 5ton	1
1-B	KS 8TKE 52/35-1-B	Body - 8ton	1
2	KS 8TKE 52/35-2	Bearing 6201	2
3	KS 8TKE 52/35-3	Flat Washer ϕ 12	8
4	KS 8TKE 52/35-4	Hex Bolt M12x115	2
5	KS 8TKE 52/35-5	Nylon slider	1
6	KS 8TKE 52/35-6	Pusher	1
7-A	KS 8TKE 52/35-7-A	Rack - 5ton	1
7-B	KS 8TKE 52/35-7-B	Rack - 8ton	1
8	KS 8TKE 52/35-8	Spring	1
9	KS 8TKE 52/35-9	Restoration device	1
10	KS 8TKE 52/35-10	Hex Bolt M12x45	2
11	KS 8TKE 52/35-11	Flat Washer ϕ 10	36
12	KS 8TKE 52/35-12	Hex Bolt M10x45	6
13	KS 8TKE 52/35-13	Hex Bolt M8x35	1
14	KS 8TKE 52/35-14	Flat Washer ϕ 8	6
15	KS 8TKE 52/35-15	Screw M12	3
16	KS 8TKE 52/35-16	Short Bushing	2
17	KS 8TKE 52/35-17	Long Busher	1

No	REF. No	DESCRIPTION	QTY
18	KS 8TKE 52/35-18	Screw M10	12
19	KS 8TKE 52/35-19	Screw M8	1
20	KS 8TKE 52/35-20	Bearing 628	1
21	KS 8TKE 52/35-21	Splitting handle	1
22	KS 8TKE 52/35-22	Press device	1
23	KS 8TKE 52/35-23	Flet Key	1
24	KS 8TKE 52/35-24	Hex Bolt M12x65	1
25	KS 8TKE 52/35-25	Roller	1
26	KS 8TKE 52/35-26	Lock-Unlock handle	1
27	KS 8TKE 52/35-27	Lock-Unlock device	1
28	KS 8TKE 52/35-28	Hex Bolt M10x80	1
29	KS 8TKE 52/35-29	Hex bolt M8x30	3
30	KS 8TKE 52/35-30	Key 6x6	1
31	KS 8TKE 52/35-31	Flat washer ϕ 8	3
32	KS 8TKE 52/35-32	Motor pulley	1
33	KS 8TKE 52/35-33	Hex bolt M10x30	16
34	KS 8TKE 52/35-34	Spring washer ϕ 10	12
35-A	KS 8TKE 52/35-35-A	Motor for 5ton	1
35-B	KS 8TKE 52/35-35-B	Motor for 8ton	1

No	REF. No	DESCRIPTION	QTY
36-A	KS 8TKE 52/35-36-A	Motor support - 5ton	1
36-B	KS 8TKE 52/35-36-B	Motor support - 8ton	1
37	KS 8TKE 52/35-37	Flywheel guard	1
38-A	KS 8TKE 52/35-38-A	Flywheel - 5ton	1
38-B	KS 8TKE 52/35-38-B	Flywheel - 8ton	1
39	KS 8TKE 52/35-39	Key 8x7	2
40	KS 8TKE 52/35-40	Pinion driver	1
41	KS 8TKE 52/35-41	Bearing housing	2
42	KS 8TKE 52/35-42	Pulley guard	1
43-A	KS 8TKE 52/35-43-A	Flywheel for belt - 5ton	1
43-B	KS 8TKE 52/35-43-B	Flywheel for belt - 8ton	1
44	KS 8TKE 52/35-44	Vee-belt	1
45	KS 8TKE 52/35-45	Front support	1
46	KS 8TKE 52/35-46	Hex bolt M6x16	1
47	KS 8TKE 52/35-47	Side roller fitting	2
48	KS 8TKE 52/35-48	Hex bolt M8x15	4
49	KS 8TKE 52/35-49	S pring washerφ8	4
50	KS 8TKE 52/35-50	Hex bolt M10x90	2
51	KS 8TKE 52/35-51	Side roller	2

No	REF. No	DESCRIPTION	QTY
52	KS 8TKE 52/35-52	Flat washer ϕ 12	2
53	KS 8TKE 52/35-53	wheel	2
54	KS 8TKE 52/35-54	Tension spring	1
55	KS 8TKE 52/35-55	Wheel bracket	1
56	KS 8TKE 52/35-56	Cotter pin ϕ 3.2	2
57	KS 8TKE 52/35-57	Flat washer ϕ 6	2
58	KS 8TKE 52/35-58	Lifting Handle	1
59	KS 8TKE 52/35-59	Screw M6	2

CONTACTS

Germany

ks-power.de

info@dimaxgroup.de

Poland

ks-power.pl

info.pl@dimaxgroup.de

Ukraine

ks-power.com.ua

sales@ks-power.com.ua

Russia

ks-power.ru

info@ks-power.ru